

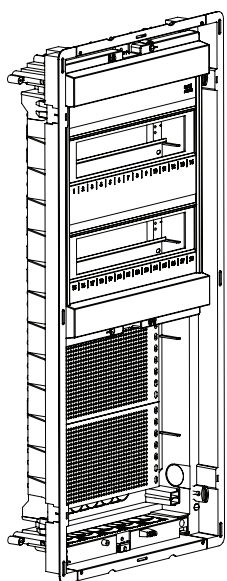
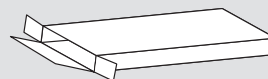
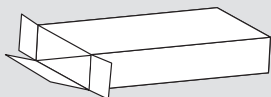
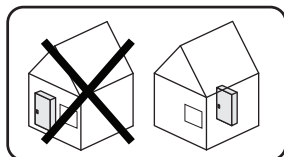
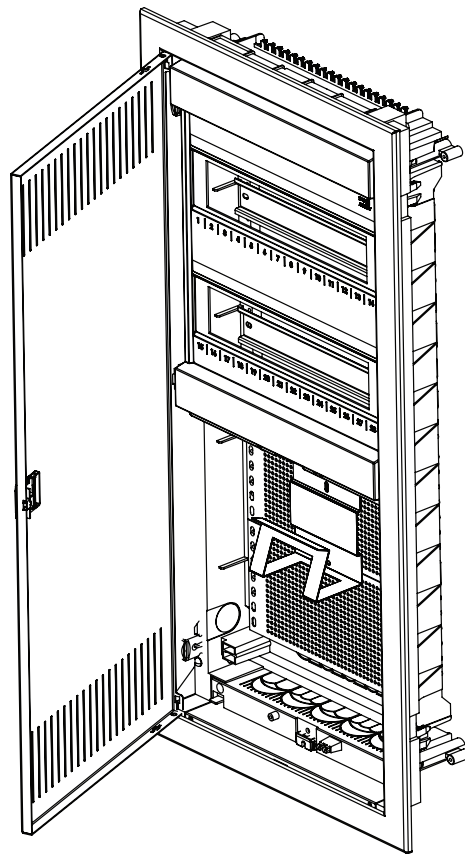


ETI Elektroelement d.o.o
Obrezija 5
1411 Izlake
Slovenia

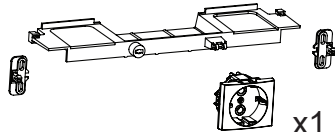
ETI Polam Sp.z.o.o.
ul. Jana Pawła II 18
06-100 Pułtusk
Polska

- DE Montageanleitung
- FR Notice d'instructions
- GB Mounting instructions
- NL Montage instructie
- DK Monteringsvejledning
- FI Asennusohje
- NO Montasjeanvisning
- SE Monterings instruktioner
- IT Istruzioni di montaggio
- ES Instrucciones de montaje
- PT Instruções de montagem
- CZ Montážní návod
- BA Uputstvo za montažu
- SR Uputstvo za montažu
- UK Керівництво з монтажу

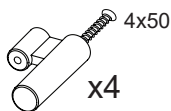
- HR Upute za montažu
- HU Szerelési útmutató
- LT Montavimo instrukcija
- LV Montāžas instrukcija
- PL Instrukcja montażowa
- RO Instrucțiuni de montare
- SK Návod na montáž
- RU Руководство по монтажу
- BG Инструкции за монтаж
- GR Οδηγίες χώνευσης
- SI Navodilo za montažo
- EE Paigaldusjuhised
- IS Leiðbeiningar
- AR دليل التركيب



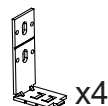
x1



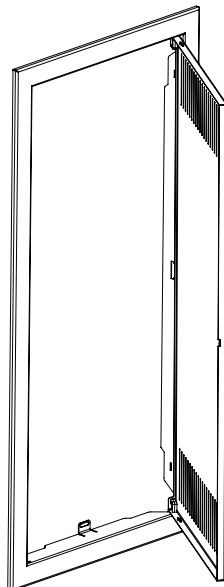
x1



3.5x19
x4



x4



x1

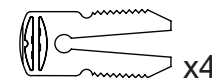


x2



x2

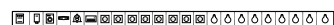
3.5x19



x4



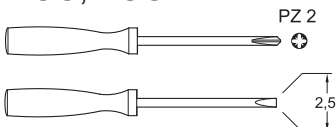
x1



Labels X1

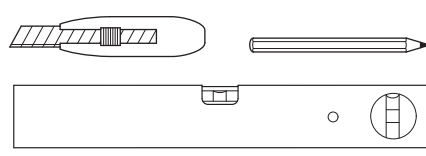


ECG, ECGH

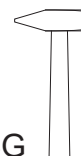


PZ 2

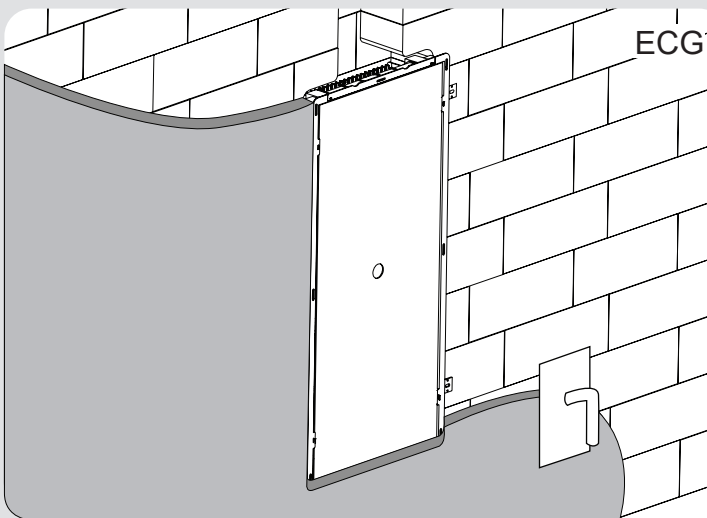
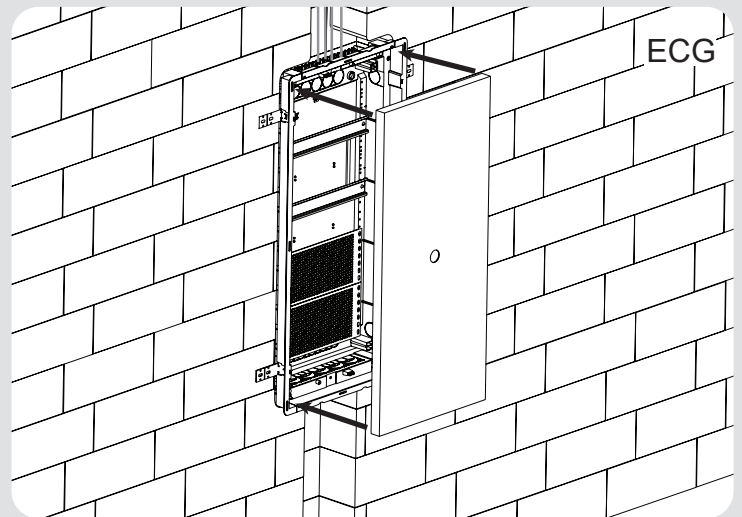
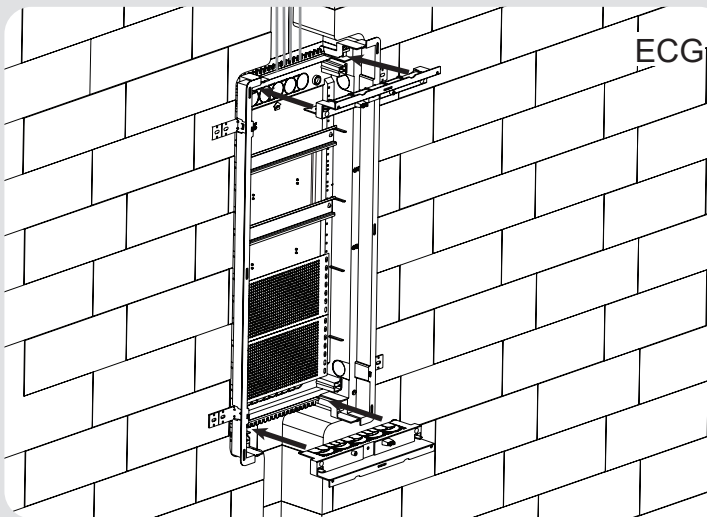
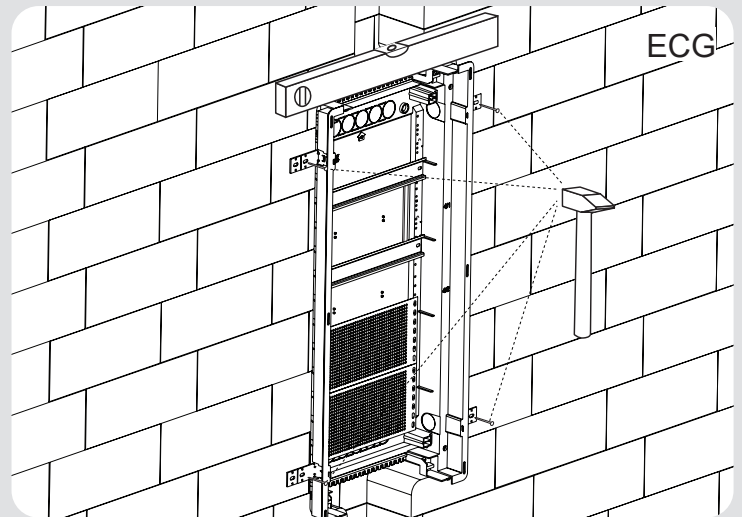
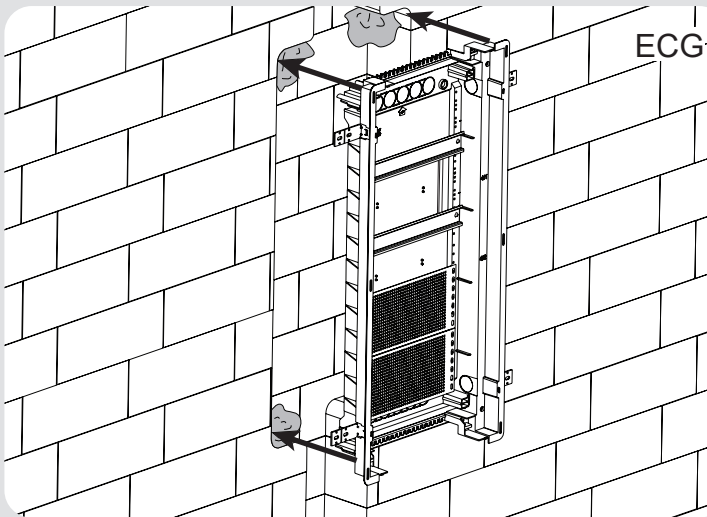
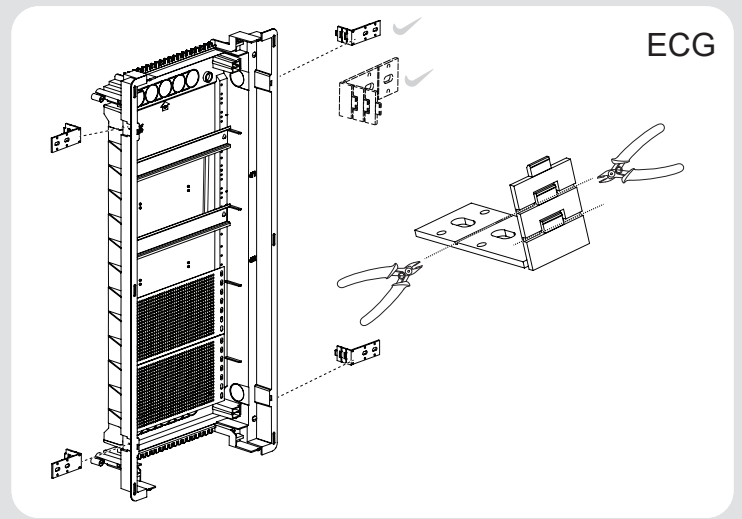
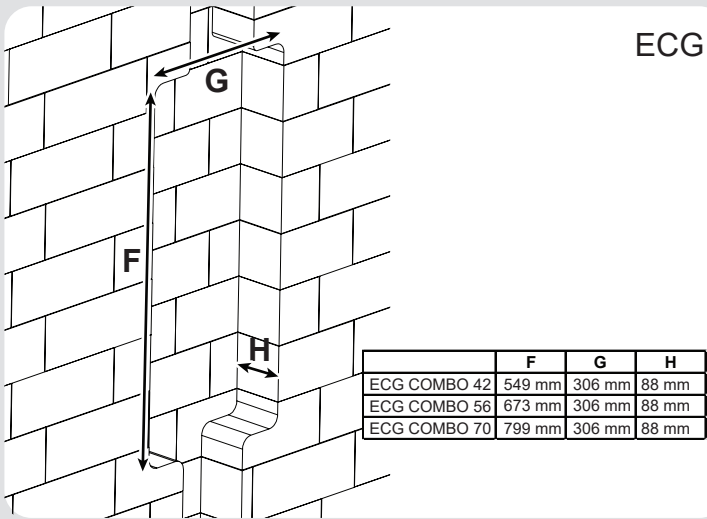
2.5



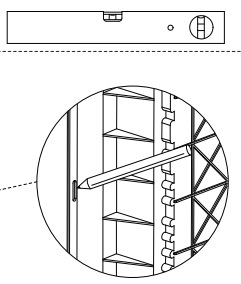
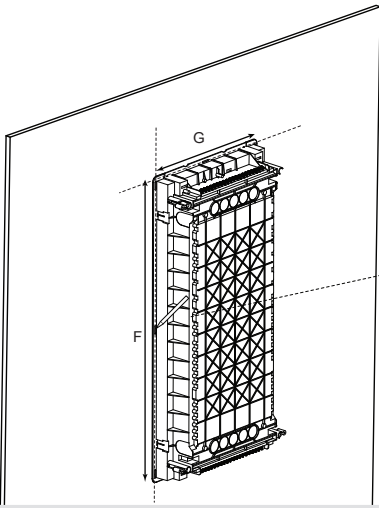
ECG



ECGH

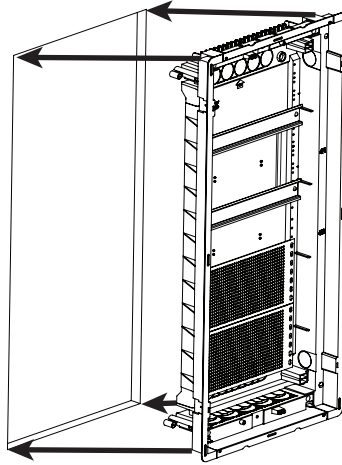


ECGH

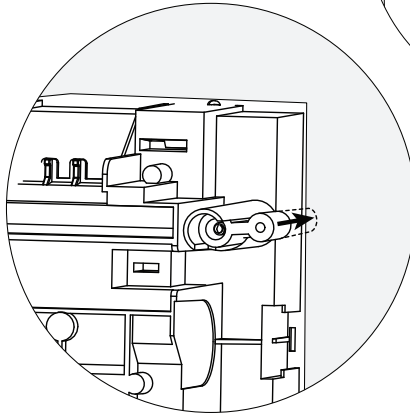
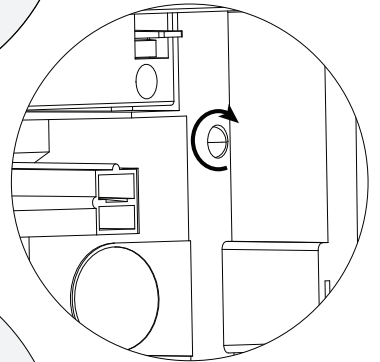
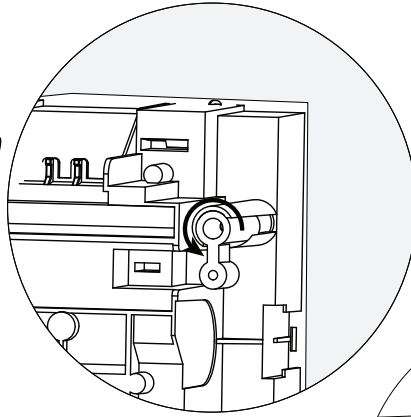
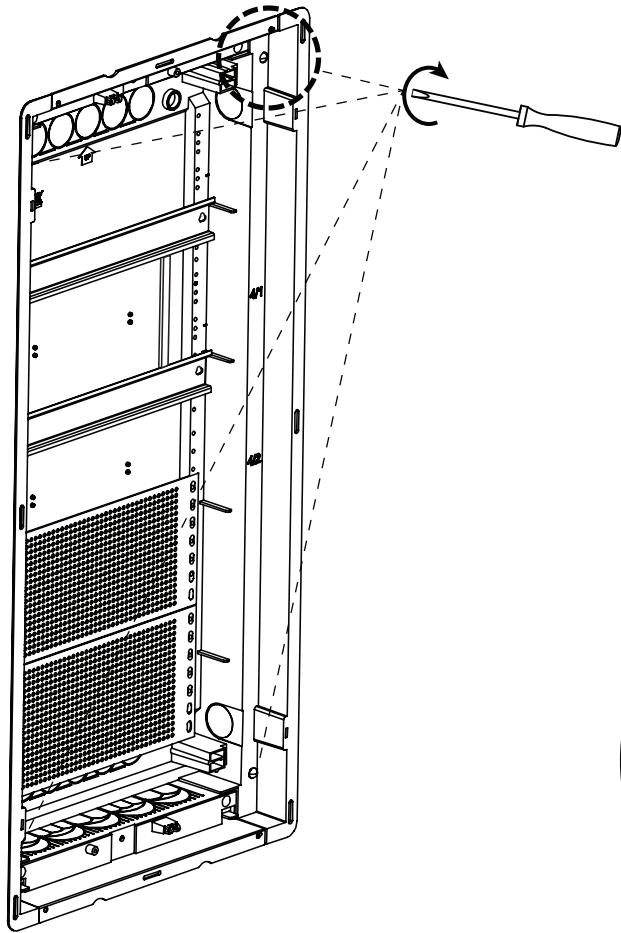


	F	G
ECG COMBO 42	549 mm	306 mm
ECG COMBO 56	673 mm	306 mm
ECG COMBO 70	799 mm	306 mm

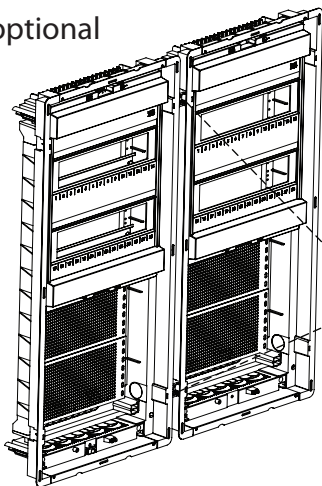
ECGH



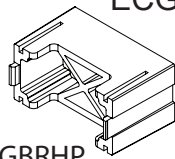
ECGH



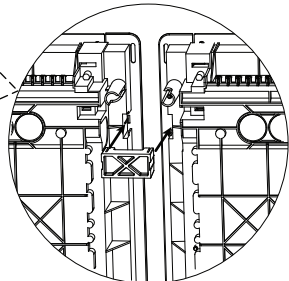
optional



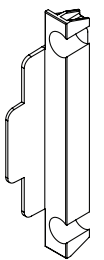
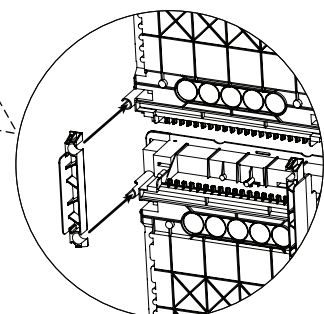
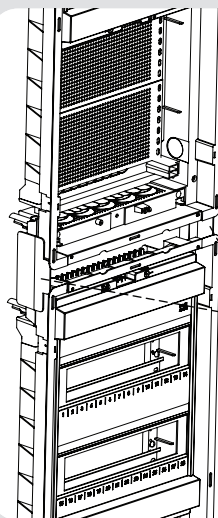
ECGH ECG



ECGBRHP

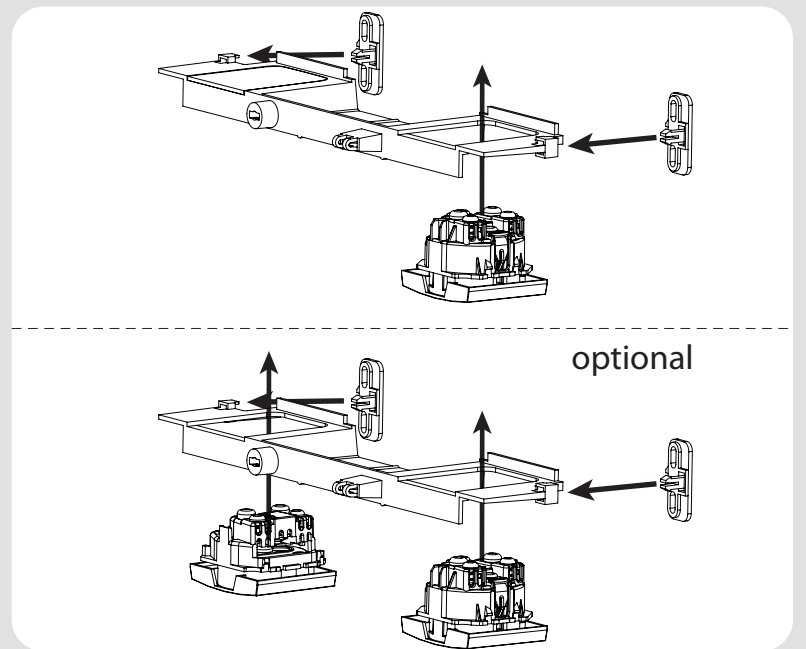
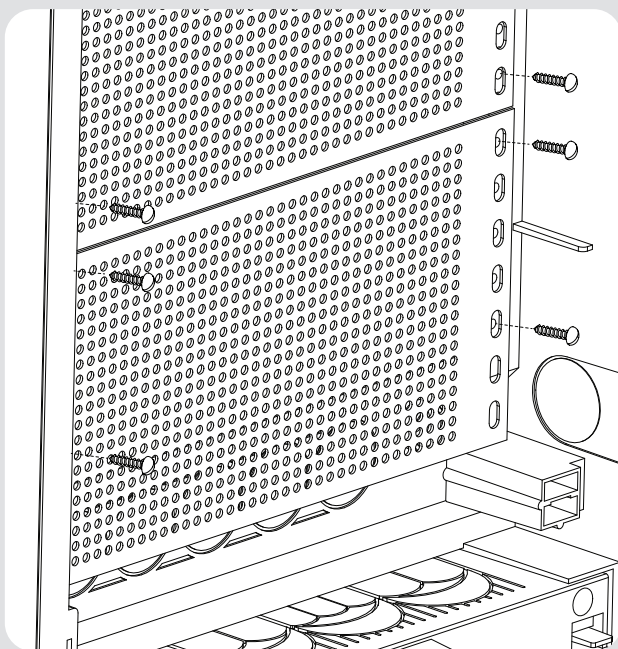
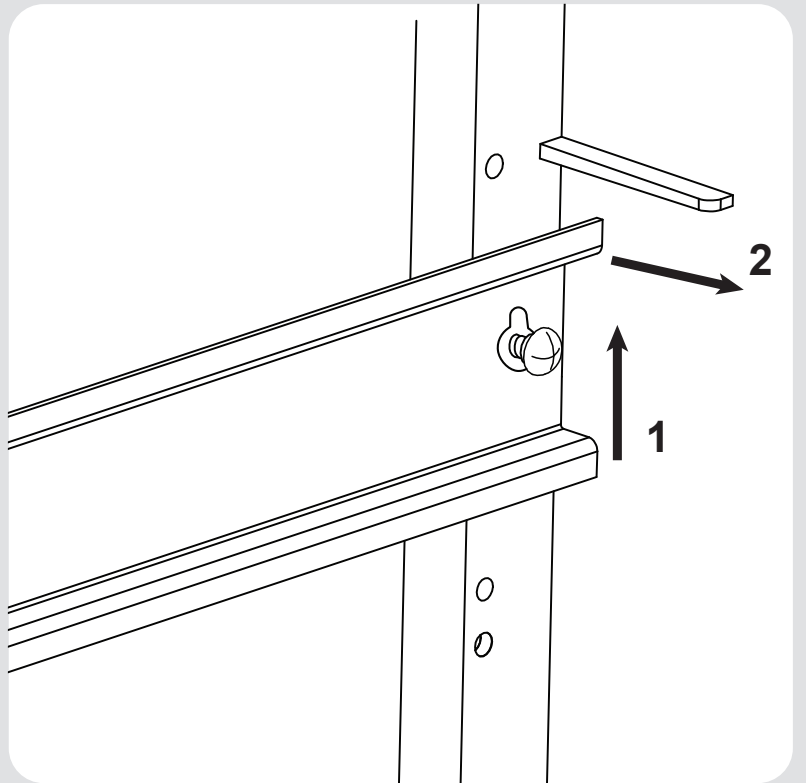
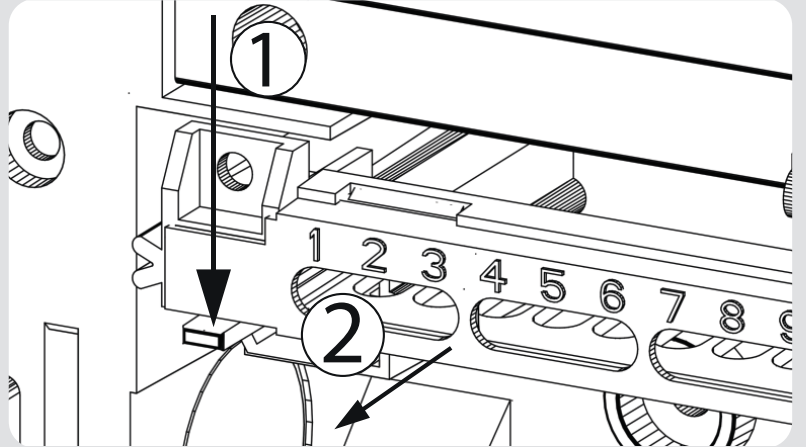
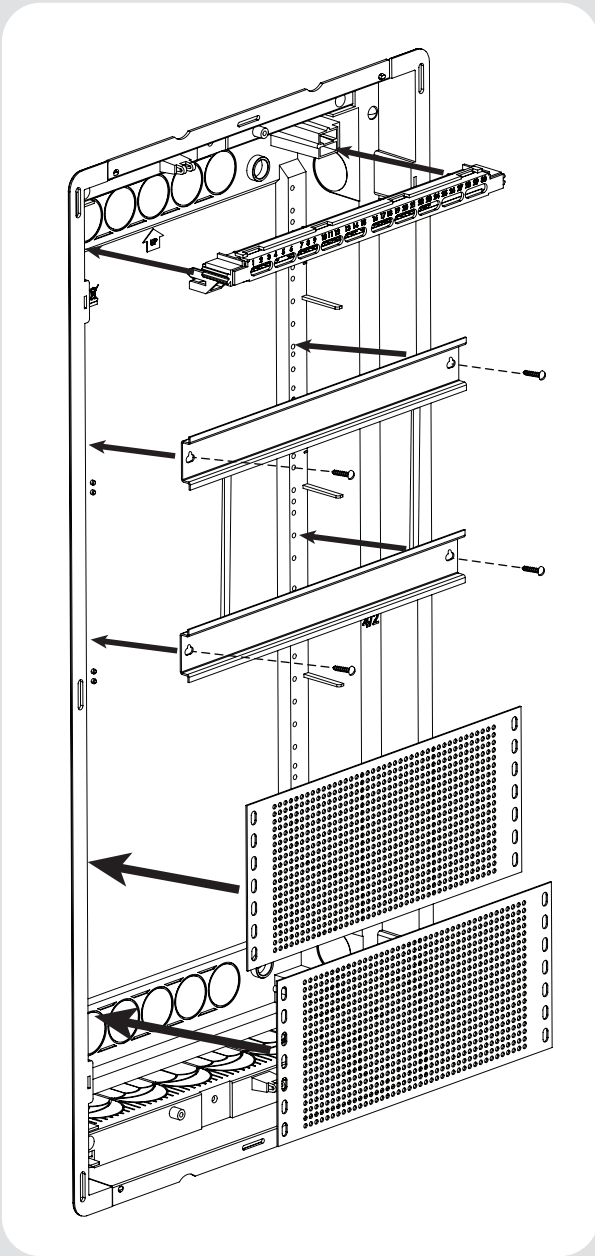


optional ECGH ECG

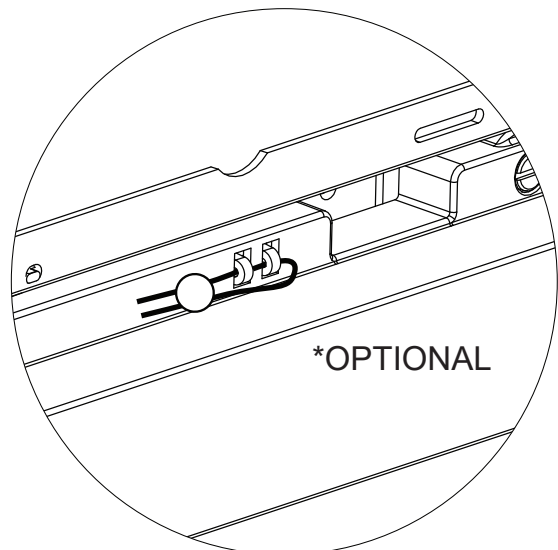
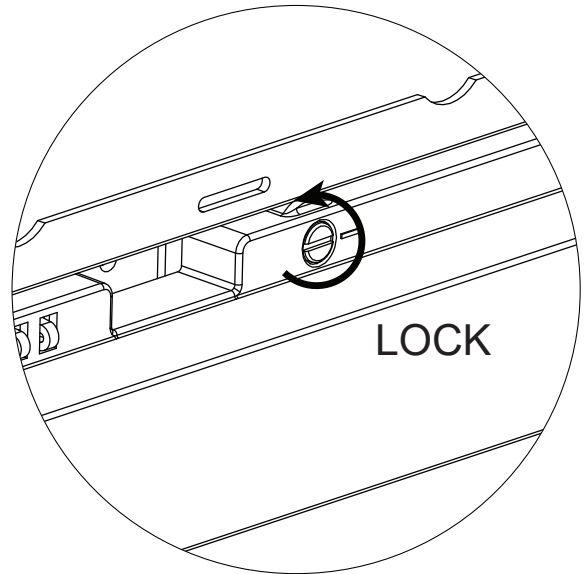
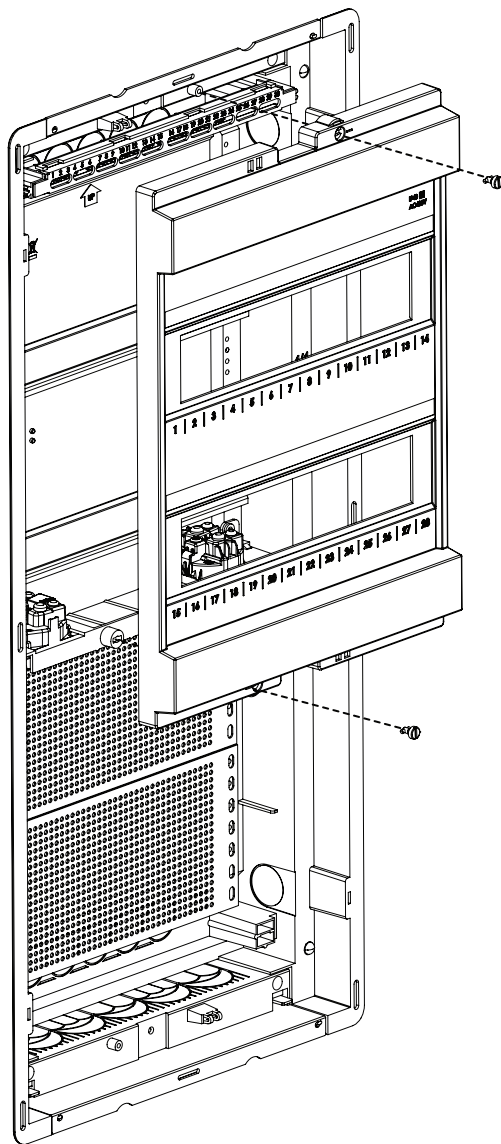
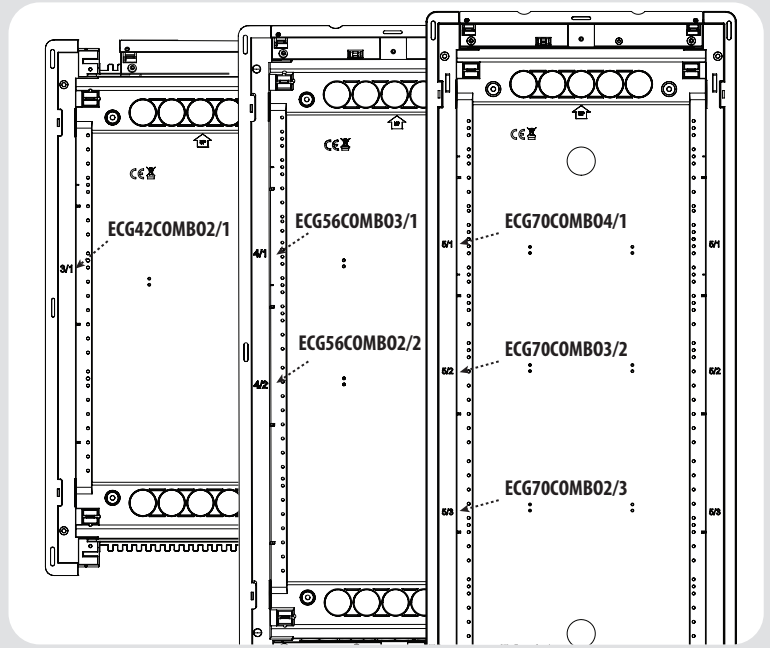
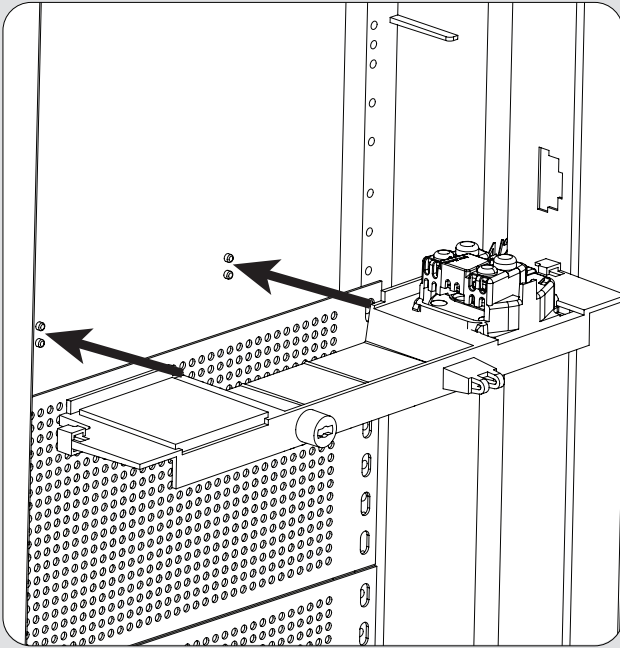


ECGBRV

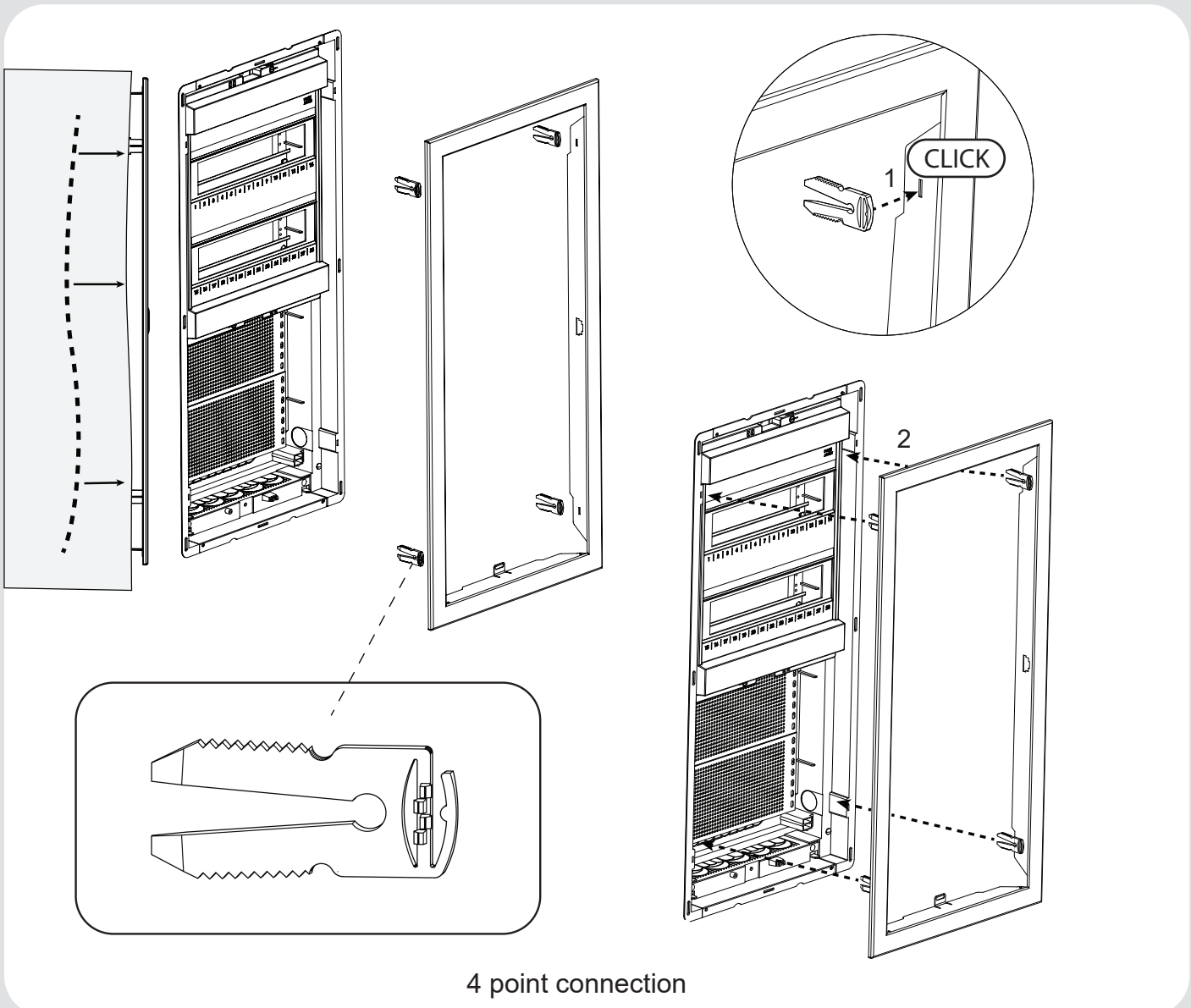
ECG, ECGH



ECG, ECGH



ECG, ECGH

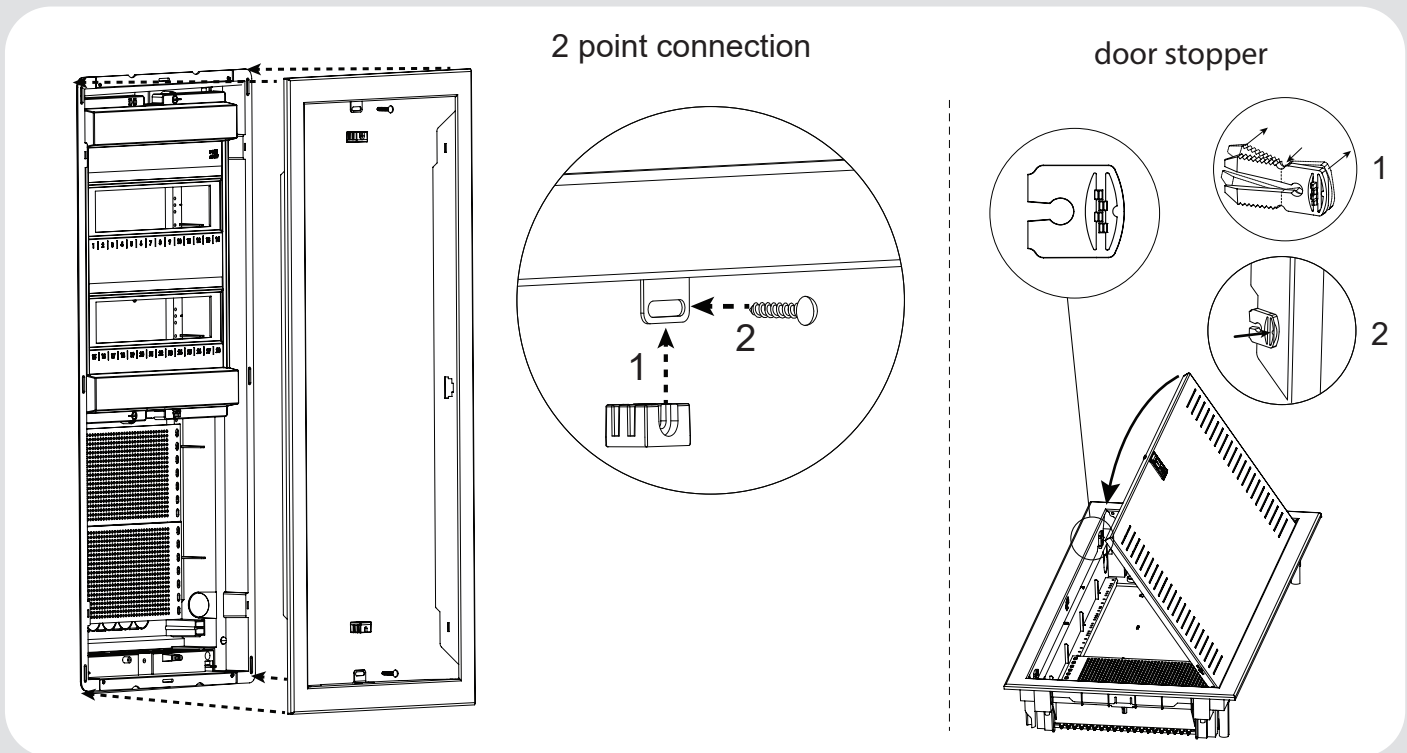


4 point connection

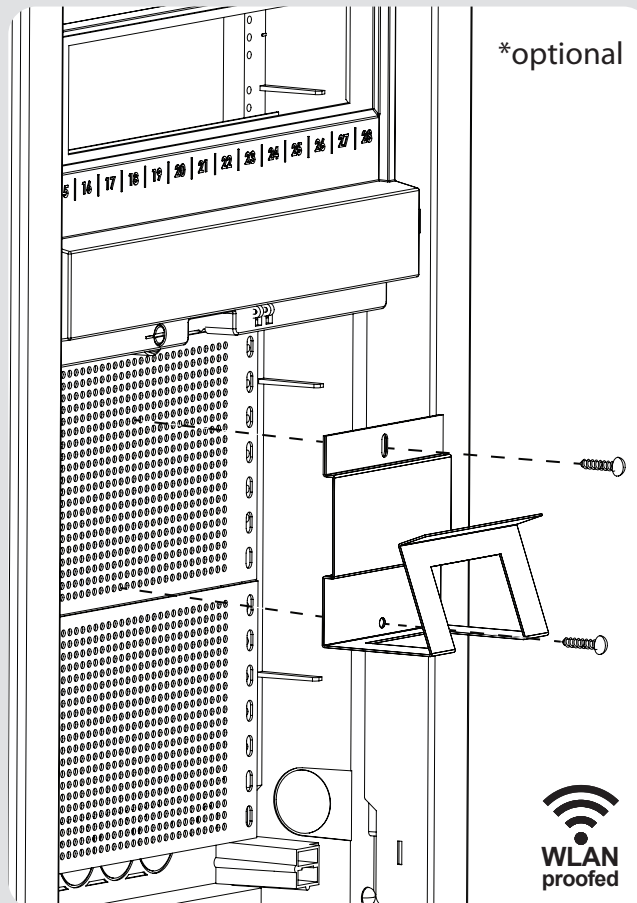
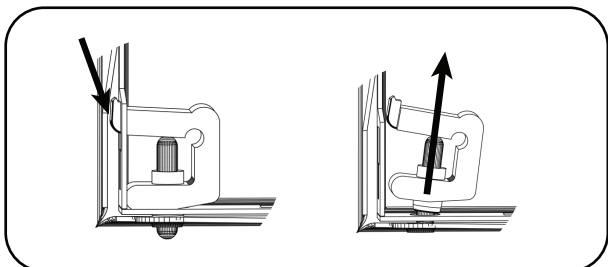
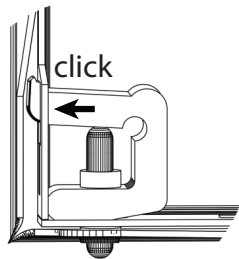
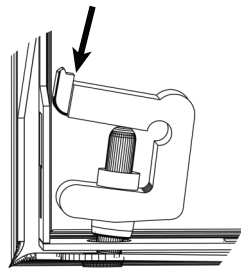
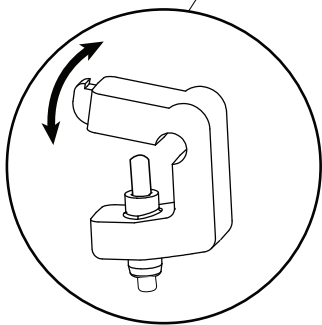
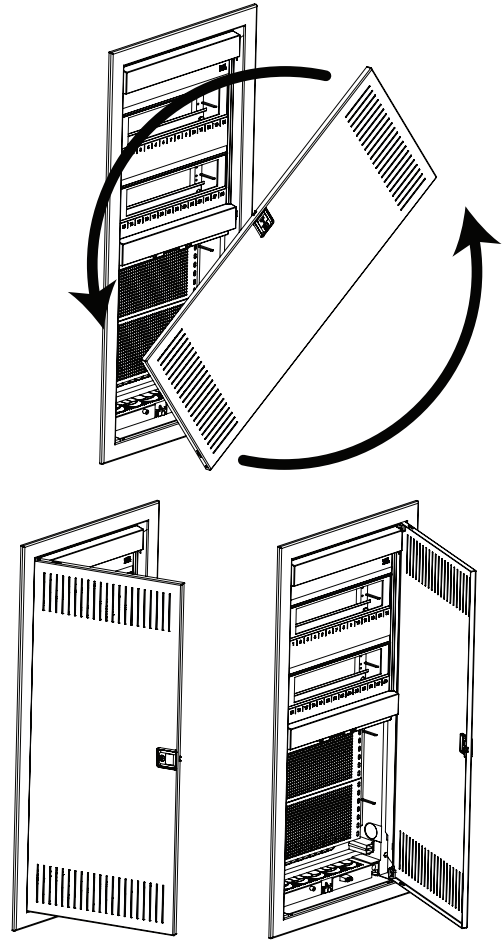
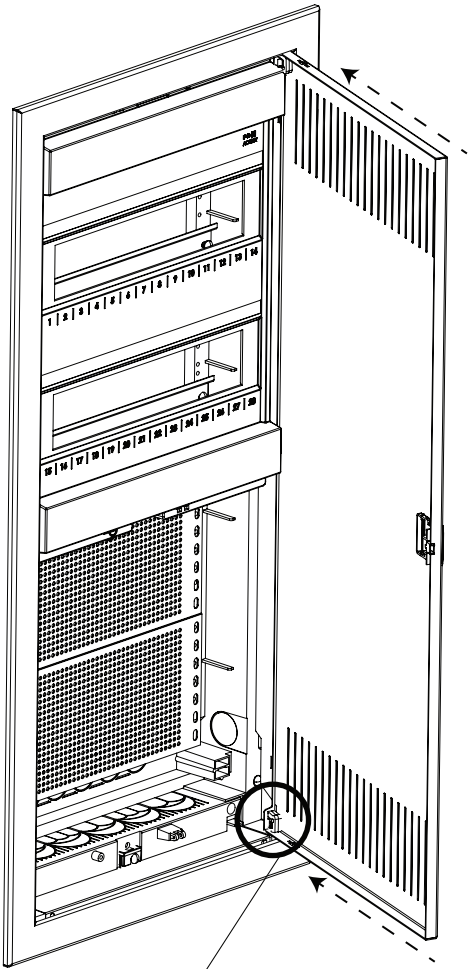
OR

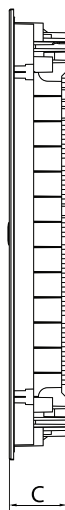
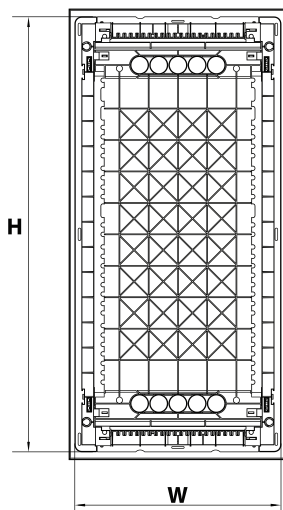
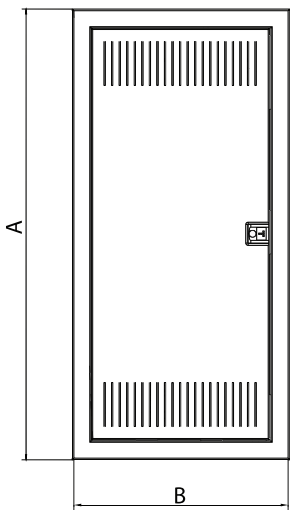
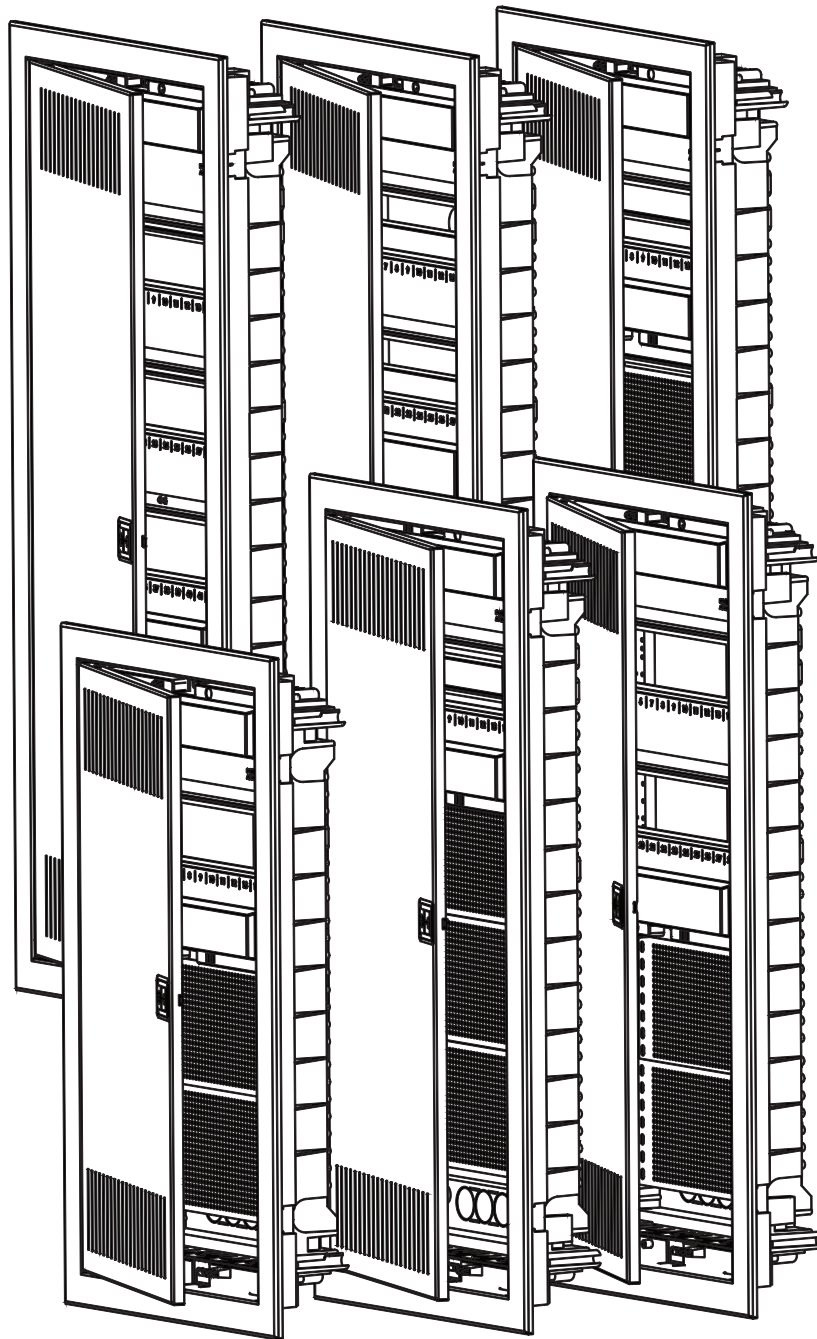
2 point connection

door stopper



ECG, ECGH





	A	B	C	H	W
ECG42COMBO2/H	592 mm	346 mm	92 mm	549 mm	306 mm
ECG56COMBO3/H	717 mm	346 mm	92 mm	673 mm	306 mm
ECG56COMBO2/2-I	717 mm	346 mm	92 mm	673 mm	306 mm
ECG70HCOMBO4/H	842 mm	346 mm	92 mm	799 mm	306 mm
ECG70HCOMBO3/2-I	842 mm	346 mm	92 mm	799 mm	306 mm
ECG70HCOMBO2/3-I	842 mm	346 mm	92 mm	799 mm	306 mm

	ECG42COMBO2/H	ECG56COMBO3/H	ECG56COMBO2/2-I
No. of modules	12 + 2	12 + 2	24 + 4
PE, N terminal	2 x 10	2 x 10	2 x 13

	ECG70HCOMBO4/H	ECG70HCOMBO3/2-I	ECG70HCOMBO2/3-I
No. of modules	12 + 2	24 + 4	36 + 6
PE, N terminal	2 x 10	2 x 13	2 x 15

For indoor locations (S 50% RH at max. +40°C or for example 90% RH at +20°C)
 Temperature range: -25°C ... +60°C. Rating Voltage: AC400V; IP30, IK08
 According to: IEC 60670; IEC 62208