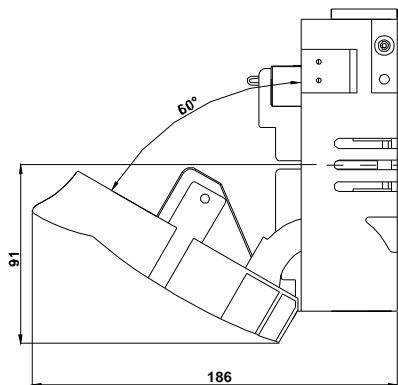
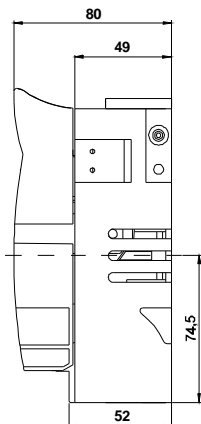
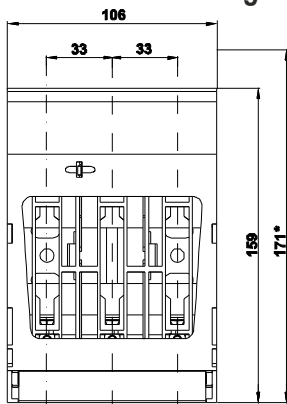
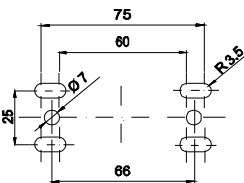


D) Mjerne skice Dimension drawings



Mjere za montažu
Mounting dimensions



Dimenzije u mm
Dimensions in mm

*Sa priborom za montiranje na sustav šina razmaka 125mm / 150mm

*With accessories for mounting between 2 standard rails
125mm / 150mm apart

Str. / Page: 4

OM0890

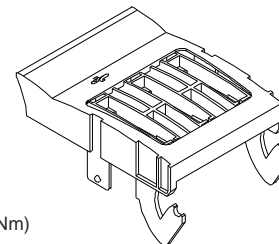
Upute za montažu Installation instruction



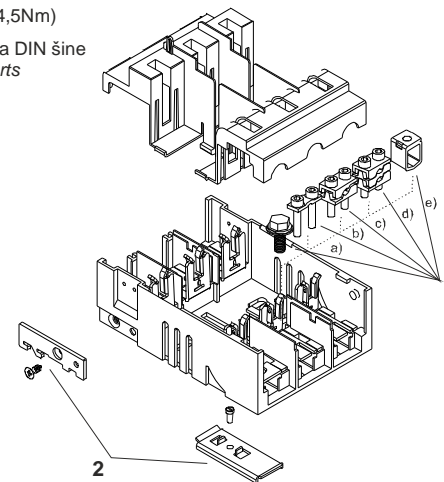
A) Osigurač-rastavna sklopka tip HVL EK 00 Fuse-switch disconnecter type HVL EK 00

1. Vrste priključaka Type of terminals

- a) **M8x16** (70mm²; 12-15Nm)
- b) **OS00** (6-50mm² Cu; 2,6Nm)
- c) **P00** (10-70mm² Al/Cu; 4,5Nm)
- d) **P002** (2x10-50mm² Al/Cu; 4,5Nm)
- e) **BOX** (10-70mm² Cu; 4,5Nm)

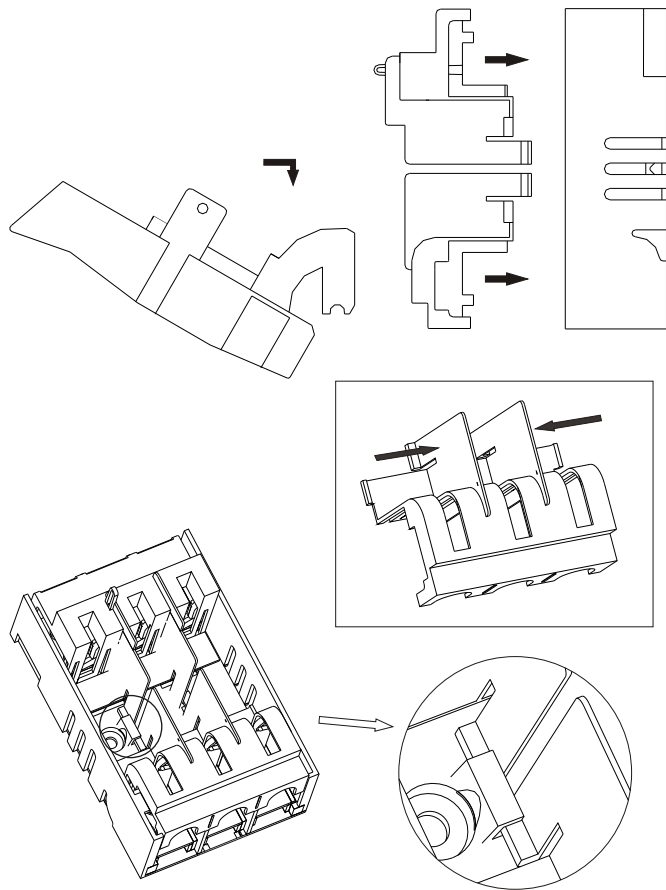


2. Pribor za montiranje na DIN šine Mounting-rail fixing parts



Str. / Page: 1

B) Montiranje zaštitnih kapa i poklopca
Mounting protective caps and cover



C) Montiranje na šine (125 mm / 150mm)
Mounting onto standard rail (125 mm / 150mm)

